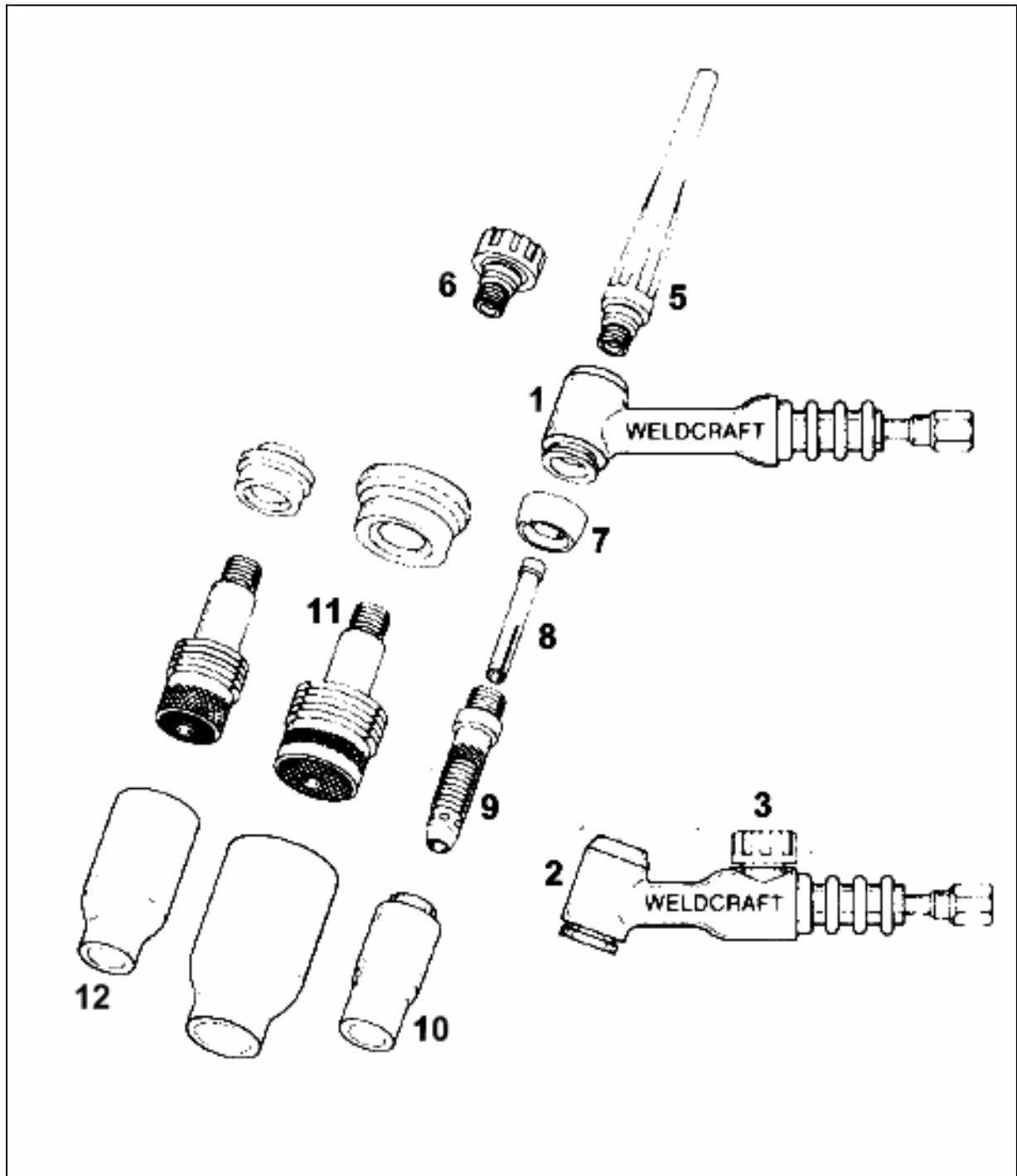




TOT-GARAI, S. L.

WELDCRAFT WP-17,17V



PISTOLA TIG WELDCRAFT WP-17

<u>Posicion</u>	<u>IDComponente</u>	<u>DescArticulo</u>
000	TW00003000	ANTORCHA TIG WP17-4 M. PY 2 MICROS
000	TW00005000	ANTORCHA TIG WP17V-4 M. AA
001	TW00025000	CUELLO FLEXIBLE TIG WP 17
001	TW00029000	CUELLO TIG WP 17
002	TW00027000	CUELLO FLEXIBLE TIG WP 17 V
002	TW00031000	CUELLO TIG WP 17V
003	TW00135000	VALVULA TIG WP 9-17 VS-2
005	TW00129000	TAPON LARGO TIG WP 17-18-26 57Y02
006	TW00127000	TAPON CORTO TIG WP 17-18-26 57Y04
007	TW00167000	AISLANTE TIG WP 17-18-26 18CG
008	TW00087000	PORTA-TUGSTENOS TIG WP 17-18-26 DE 1,6 MM.
008	TW00089000	PORTA-TUGSTENOS TIG WP 17-18-26 DE 2 MM.
008	TW00091000	PORTA-TUGSTENOS TIG WP 17-18-26 DE 2,4 MM.
008	TW00093000	PORTA-TUGSTENOS TIG WP 17-18-26 DE 3,2 MM.
009	TW00099000	DISTRIBUIDOR TIG WP 17-18-26 10N31 DE 1,6 MM.
009	TW00101000	DISTRIBUIDOR TIG WP 17-18-26 10N32 DE 2,4 MM.
009	TW00103000	DISTRIBUIDOR TIG WP 17-18-26 10N28 DE 3,2 MM.
010	TW00047000	TOBERA TIG WP 10N45 17-18-26
010	TW00049000	TOBERA TIG WP 10N46 17-18-26
010	TW00051000	TOBERA TIG WP 10N47 17-18-26
010	TW00053000	TOBERA TIG WP 10N48 17-18-26
010	TW00055000	TOBERA TIG WP 10N49 17-18-26
010	TW00057000	TOBERA TIG WP 10N50 17-18-26
011	TW00105000	DISTRIBUIDOR GASLINSE TIG WP 17-18-26 45V64 DE 2,4 MM.
011	TW00107000	DISTRIBUIDOR GASLINSE ESPECIAL TIG WP 995795
011	TW00113000	DISTRIBUIDOR GASLINSE TIG WP 18 45V63 DE 4 MM.
012	TW00059000	TOBERA TIG WP 54N18 GRADO 4
012	TW00061000	TOBERA TIG WP 54N17 GRADO 5
012	TW00065000	TOBERA TIG WP 54N15 GRADO 7
012	TW00065000	TOBERA TIG WP 54N15 GRADO 7
012	TW00067000	TOBERA TIG WP 54N14 GRADO 8