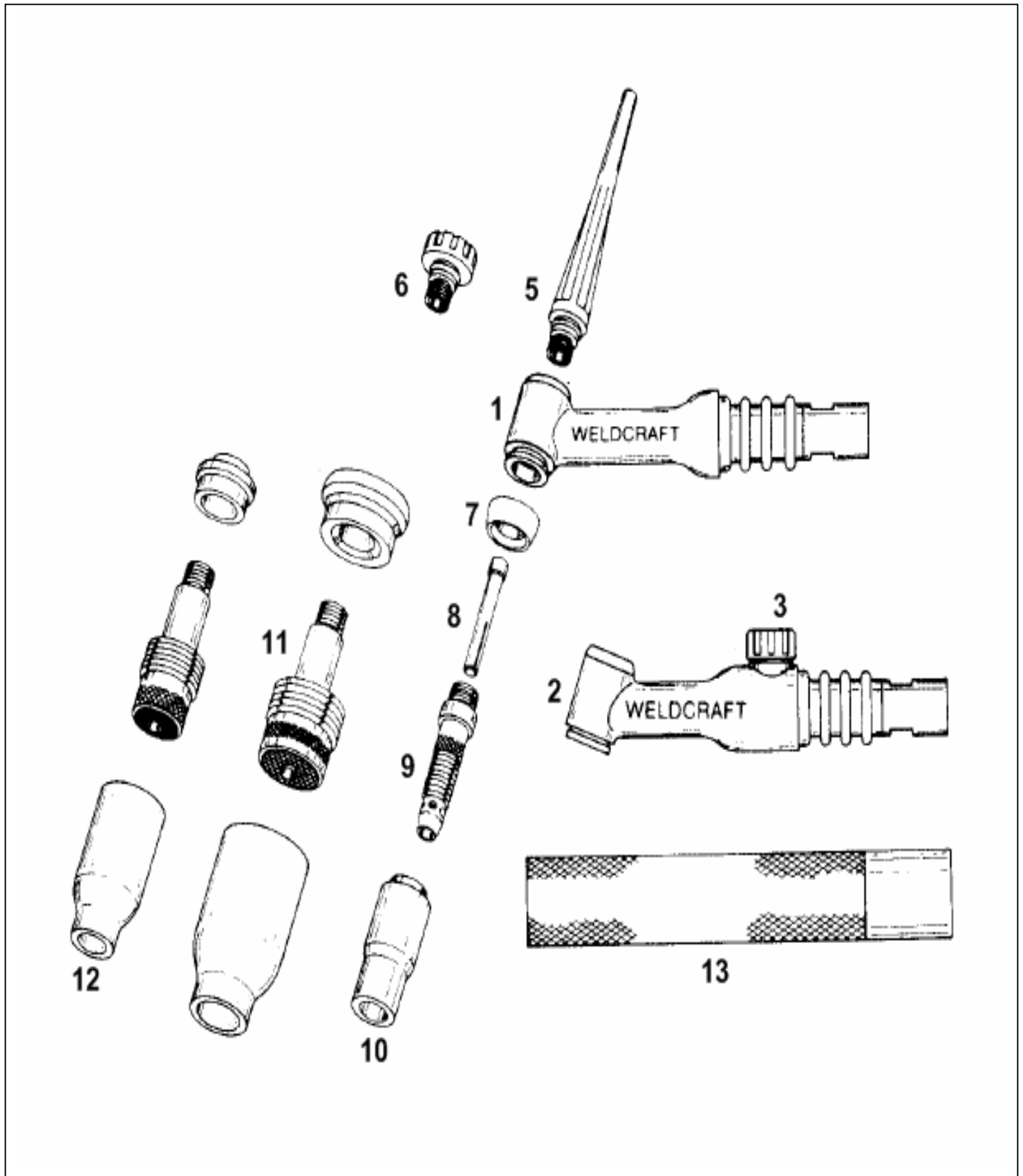




TOT-GARAI, S. L.

# WELDCRAFT WP-26,26V



## **PISTOLA TIG WELDCRAFT WP-26**

<u>Posicion</u>	<u>IDComponente</u>	<u>DescArticulo</u>
000	TW00007000	ANTORCHA TIG WP26-4 M. HA 2 MICROS
000	TW00009000	ANTORCHA TIG WP26-8 M. HA 2 MICROS
000	TW00011000	ANTORCHA TIG WP26V-4 M. AA
000	TW00013000	ANTORCHA TIG WP26V-8 M. AA
001	TW00037000	CUELLO FLEXIBLE TIG WP 26
001	TW00041000	CUELLO TIG WP 26
001	TW00045000	CUELLO TIG WP 26 CORTO
002	TW00039000	CUELLO FLEXIBLE TIG WP 26V
002	TW00043000	CUELLO TIG WP 26V
003	TW00137000	VALVULA TIG WP 26V VS-1
005	TW00129000	TAPON LARGO TIG WP 17-18-26 57Y02
006	TW00127000	TAPON CORTO TIG WP 17-18-26 57Y04
007	TW00167000	AISLANTE TIG WP 17-18-26 18CG
008	TW00087000	PORTA-TUGSTENOS TIG WP 17-18-26 DE 1,6 MM.
008	TW00089000	PORTA-TUGSTENOS TIG WP 17-18-26 DE 2 MM.
008	TW00091000	PORTA-TUGSTENOS TIG WP 17-18-26 DE 2,4 MM.
008	TW00093000	PORTA-TUGSTENOS TIG WP 17-18-26 DE 3,2 MM.
009	TW00099000	DISTRIBUIDOR TIG WP 17-18-26 10N31 DE 1,6 MM.
009	TW00101000	DISTRIBUIDOR TIG WP 17-18-26 10N32 DE 2,4 MM.
009	TW00103000	DISTRIBUIDOR TIG WP 17-18-26 10N28 DE 3,2 MM.
010	TW00047000	TOBERA TIG WP 10N45 17-18-26
010	TW00049000	TOBERA TIG WP 10N46 17-18-26
010	TW00051000	TOBERA TIG WP 10N47 17-18-26
010	TW00053000	TOBERA TIG WP 10N48 17-18-26
010	TW00055000	TOBERA TIG WP 10N49 17-18-26
010	TW00057000	TOBERA TIG WP 10N50 17-18-26
011	TW00105000	DISTRIBUIDOR GASLINSE TIG WP 17-18-26 45V64 DE 2,4 MM.
011	TW00107000	DISTRIBUIDOR GASLINSE ESPECIAL TIG WP 995795
011	TW00113000	DISTRIBUIDOR GASLINSE TIG WP 18 45V63 DE 4 MM.
012	TW00059000	TOBERA TIG WP 54N18 GRADO 4
012	TW00061000	TOBERA TIG WP 54N17 GRADO 5
012	TW00065000	TOBERA TIG WP 54N15 GRADO 7
012	TW00065000	TOBERA TIG WP 54N15 GRADO 7
012	TW00067000	TOBERA TIG WP 54N14 GRADO 8
013	TW00151000	EMPUÑADURA TIG WP 18/18SC/26 H-200